

# 260 Series



## 260 Series Relay 5, 10 & 15 Amp General Purpose Relay With .250" QC Terminals

General purpose relay that controls electrical loads

### Features

- Class F Coil Insulation System for 155° C Total Temperature
- Coil Molded in Rynite® PET for Environmental Protection
- Unique Armature Stop Maintains Adjustment
- Fine wire gauge coils are skined for coil integrity

### Typical Applications

- Industrial machine control • Lighting control

### Models

- 260:** 5 Amp open frame      **261:** 10 Amp open frame  
**262:** 15 Amp open frame      **265F:** 5 Amp with flange cover  
**266F:** 10 Amp with flange cover      **267F:** 15 Amp with flange cover  
 Other suffixes available: A-Indicator Lamp,  
 TM-Top mount cover, SL-Stud and locating tab



Contact Data		
Configuration	Thru 3PDT	
Materials	5 Amp: 1/8" Diameter Moveable Fine Silver   3/16" Diameter Stationary Fine Silver 10 Amp: 3/16" Diameter Moveable Silver Cadmium Oxide   3/16" Diameter Stationary Fine Silver Gold Flash is Standard on all Contacts Gold Diffused Available on Special Order - Min. Qty. Req'd 15 Amp: 7/32" Diameter Moveable Silver Cadmium Oxide 7/32" Diameter Stationary Silver Cadmium Oxide	
Contact Ratings		
Model	Pole Configuration	UL Ratings
260/265	Thru 3PDT	5 Amp or 1/8 HP at 120 VAC 5 Amp or 1/4 HP at 277 VAC 2 Amp at 600 VAC 5 Amp at 28 VDC
261/266	Thru 3PDT	10 Amp or 1/3 HP at 120 VAC 10 Amp or 1/2 HP at 277 VAC* 10 Amp at 28 VDC 1 HP at 277 VAC - 3 phase 3 Amp or 1/2 HP at 600 VAC 12 FLA, 35 LRA at 15 VAC
262/267	Thru 3PDT	15 Amp or 1/2 HP at 120 VAC 15 Amp or 1 HP at 277 VAC * 15 Amp at 28 VDC
Expected Life	Electrical at Rated Load (Min.) 100,000 Operations   Mechanical Life 10,000,000 Operations	
Dielectric Strength	800 VRMS, 60 Hz Between Contacts   2200 VRMS, 60 Hz Between Other Elements	
Agency Approvals	UL Recognized File No. E37066 (USA and Canada Recognition)	

\* 3 Pole devices rate at 6-2/3 amp when switching greater than 150 VAC, unless polarity is the same on all poles

Rynite® is a registered trademark of DuPont

All dimensions in Inches

Specifications subject to change without notice

# 260 Series

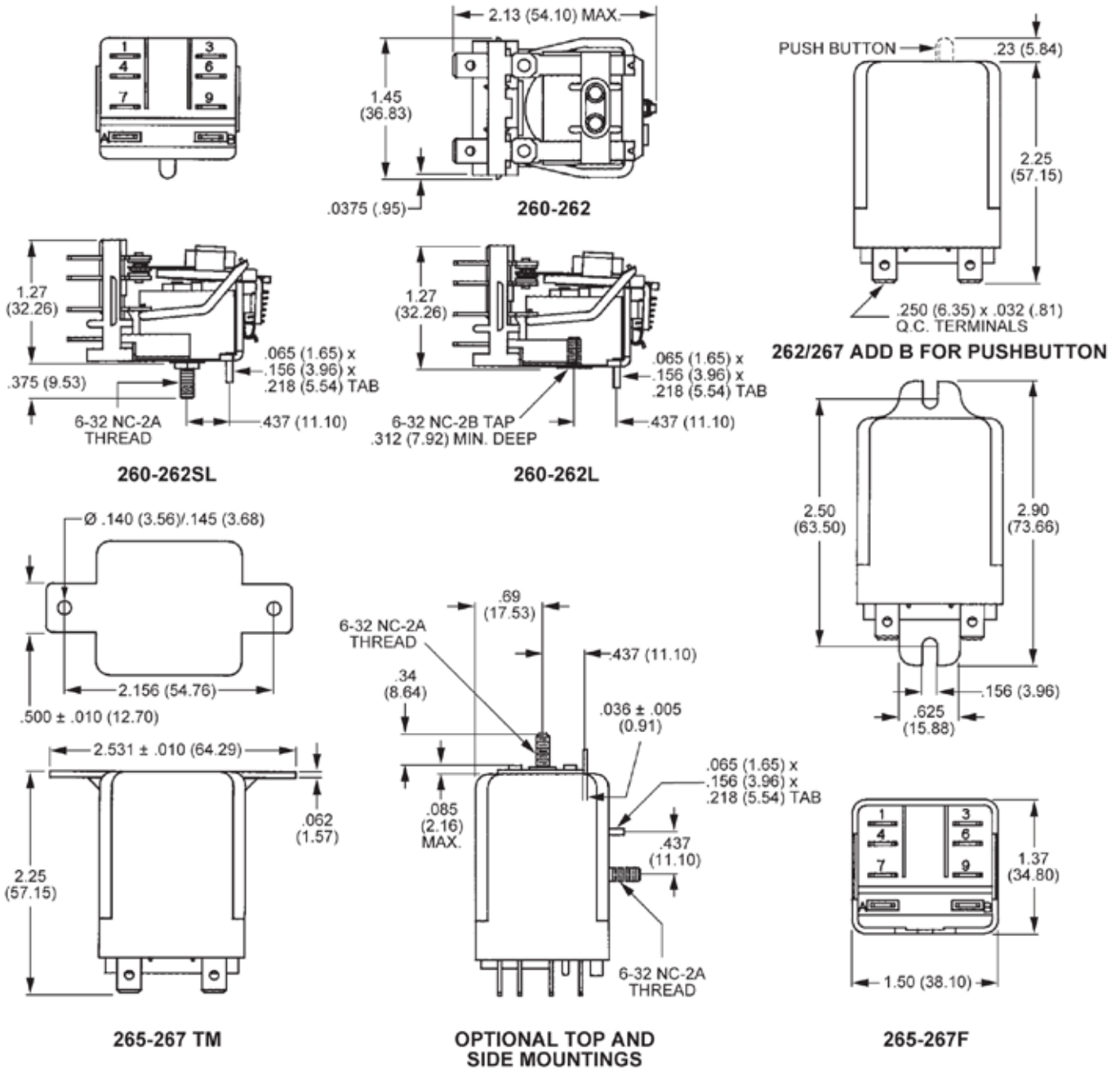


Coil Data					
Model	Pole Config.	Amp Rating	Nominal Voltage	Resistance in Ohms $\pm$ 10%	Nominal Coil Power
260/261/265F/266F	SPDT	5, 10	6 VAC 12 VAC 24 VAC 48 VAC 120 VAC 240 VAC	5 20 80 315 2,025 8,000	2.0 VA
260/261/265F/266F	DPDT 3PDT	5, 10	6 VAC 12 VAC 24 VAC 48 VAC 120 VAC 240 VAC	4.5 18 72 285 1,850 7,200	2.2 VA
262/267F	SPDT DPDT 3PDT	15	6 VAC 12 VAC 24 VAC 48 VAC 120 VAC 240 VAC	30 120 480 1,850 10,000	
260/261/265F/266F	SPDT DPDT 3PDT	5,10	6 VDC 12 VDC 24 VDC 48 VDC 110 VDC	24 96 375 1,500 8,000	1.5 W
262/267F	SPDT DPDT 3PDT	15	6 VDC 12 VDC 24 VDC 48 VDC 110 VDC	24 96 375 1,500 8,000	1.5 W
Coil Voltages	AC: Up to 277 Volts/60 Hz   DC: Up to 125 Volts				
Coil Treatment	Molded Rynite® PET Std. Class F				
Insulation Resistance	100 Megohms Minimum				
UL Insulation System File No.	E74443 S155D 155°C Total Temperature Std. (Covers S105 Class A and S130D Class B Requirements)				
Operate Data					
Pick Up (at 25°C)	AC Volts 85% or Less of Nominal   DC Volts 75% or Less of Nominal				
Operate Time	Approx. 15 Milliseconds				
Release Time	Approx. 15 Milliseconds				
Environmental Data					
Operating Ambient	AC: -45° to 55°C (Except 262 & 267) 262 & 267: -45° to 65°C DC: -45° to 70°C (Except 262 & 267) 262 & 267: -45° to 80°C				
Coil Temperature Rise	(25°C Ambient - Continuous Duty) AC: 45°C Approx. @ 60Hz - Use at 50 Hz will cause slight increase in Coil Rise DC: 25°C Approx. (Except 262 & 267) 262 & 267: 35°C Approx.				
Mechanical Data					
Terminals	.250" x .032" Quick Connect/Solder				
Cover	Clear Polycarbonate - Flammability Rating 94V2				
Weight	All Versions Approx. 3.0 oz. (85 g.)				

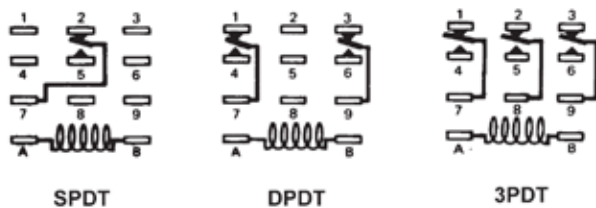
# 260 Series

## Dimensional View For reference only

Units: Inches [mm]



## Schematics



# 260 Series



## Ordering Information

### 5 Amp Part Numbers

		AC Coils			DC Coils		
Model	Pole Config.	24 VAC	120 VAC	240 VAC	12 VDC	24 VDC	110 VDC
265F	SPDT	20596-82	20596-84	20596-85	20602-81	20602-82	20602-84
	DPDT	20597-82	20597-84	20597-85	20603-81	20603-82	20603-84
	3PDT	20874-82	20874-84	20874-85	20964-81	20964-82	20964-84

### 10 Amp Part Numbers

266F	SPDT	20598-82	20598-84	20598-85	20604-81	20604-82	20604-84
	DPDT	20599-82	20599-84	20599-85	20605-81	20605-82	20605-84
	3PDT	20914-82	20914-84	20914-85	20990-81	20990-82	20990-84

### 15 Amp Part Numbers

267F	SPDT	20600-82	20600-84*	20600-85	20606-81*	20606-82*	20606-84
	DPDT	20601-82*	20601-84*	20601-85	20607-81*	20607-82*	20607-84
	3PDT	20913-82	20913-84	20913-85	20860-81	20860-82	20860-84

(\*) Normally Stocked

Non stocked items require a minimum order